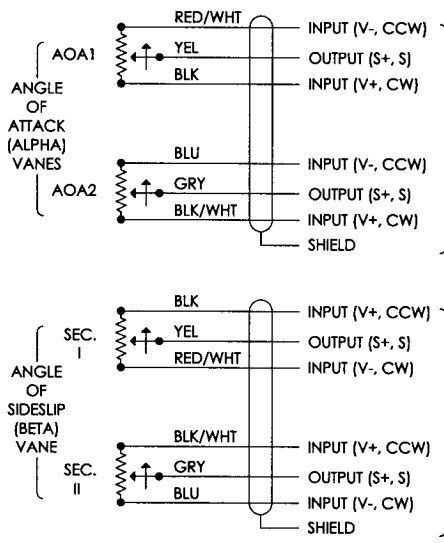
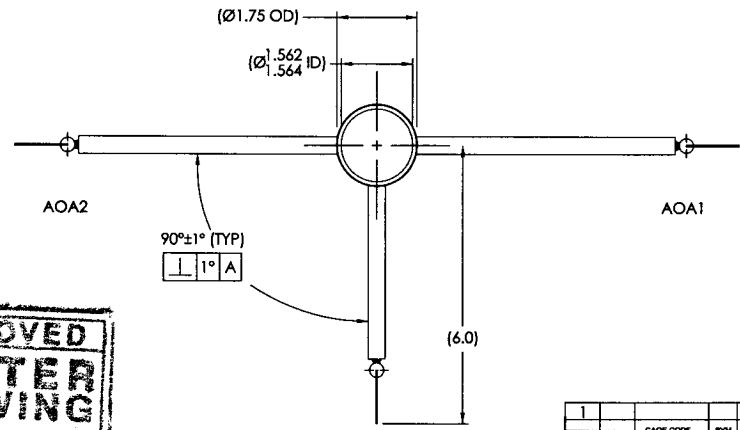
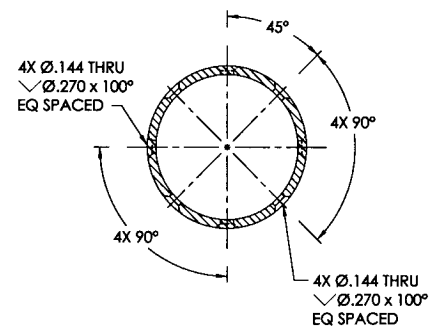
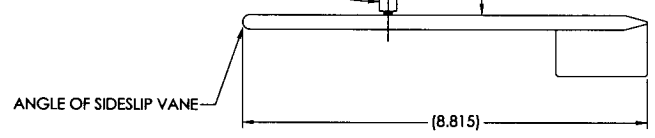
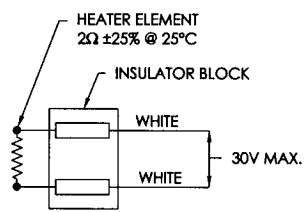
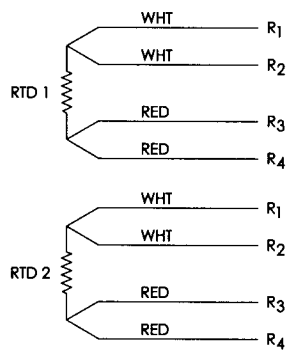
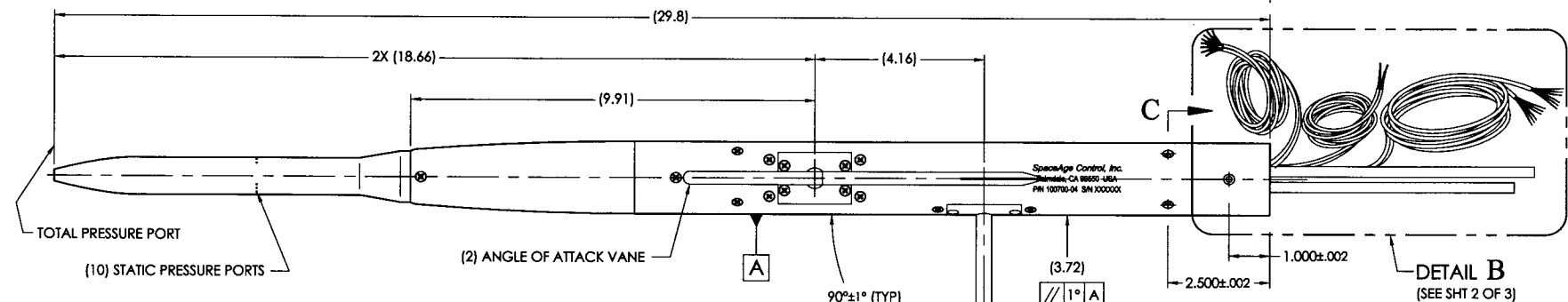


This drawing contains design and other information which is the property of SpaceAge Control, Inc. Except for rights expressly granted by contract to the United States Government, this drawing and data disclosed herein or hereunder is not to be reproduced, used, or disclosed in whole or in part to anyone without the written permission of SpaceAge Control, Inc.

REVISIONS			
REV.	DESCRIPTION	DATE	APPROVED
A	PER ECO #0824	9-11-01	S/SIMPSON
B	PER ECO #0830	9-20-01	S/JOHN GATES
C	PER ECO #1226	8-18-05	KOH

NO MAINTAINED CHANGES SHALL BE INCORPORATED BY THE DESIGN ACTIVITY.

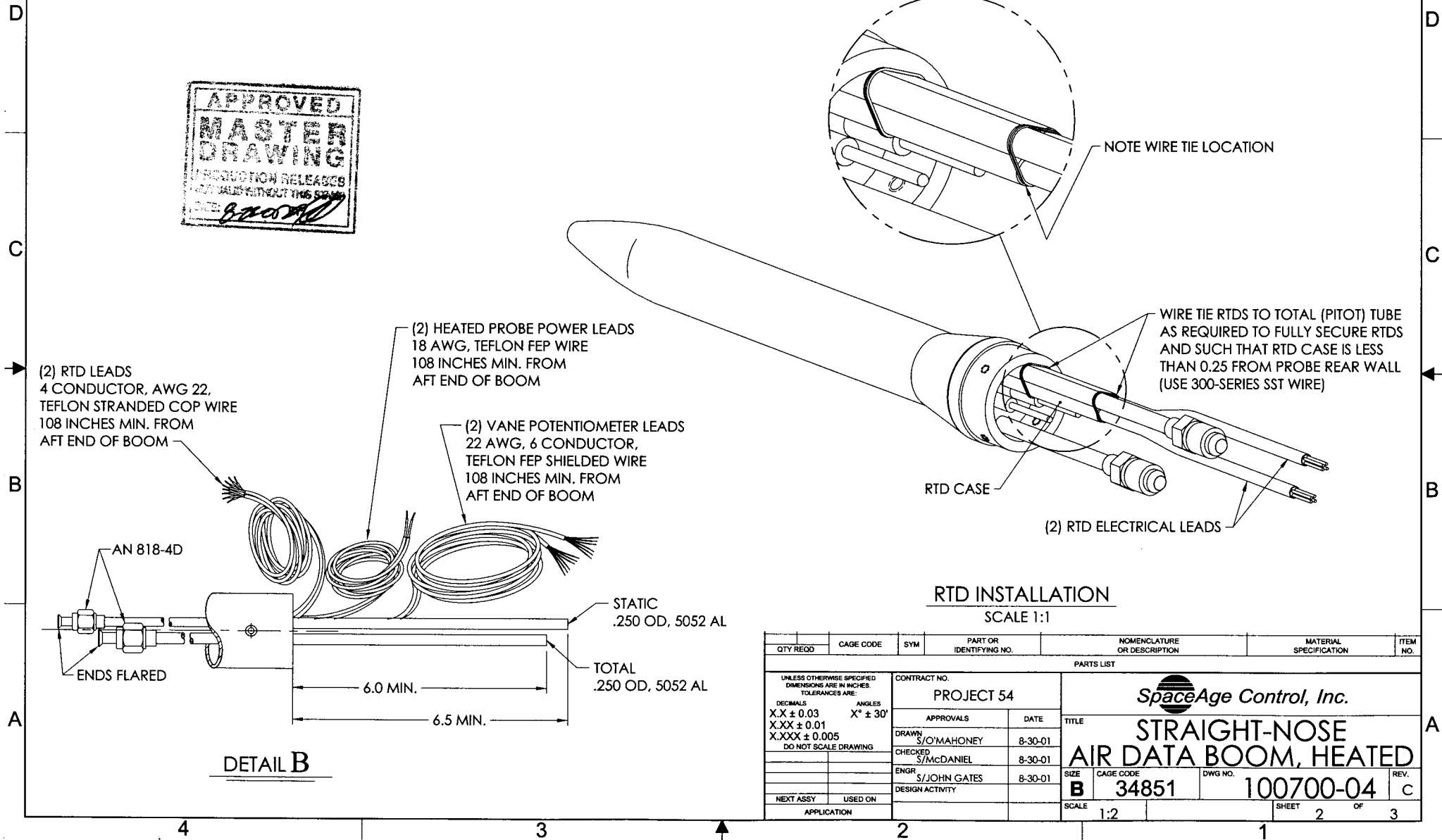


ELECTRICAL SCHEMATIC

1		100700-04		STRAIGHT-NOSE AIR DATA BOOM, HEATED	
QTY REQD	CAGE CODE	BYM	PART OR IDENTIFYING NO.	MATERIAL SPECIFICATION	ITEM NO.
PARTS LIST					
UNLESS OTHERWISE SPECIFIED DIMENSIONS ARE IN INCHES. TOLERANCES ARE:		CONTRACT NO. PROJECT 54		SpaceAge Control, Inc.	
DECIMALS X.X ± 0.03		APPROVALS		TITLE STRAIGHT-NOSE AIR DATA BOOM, HEATED	
X.XX ± 0.01		DRAWN S/MAHONEY		DWG NO. 100700-04	
X.XXX ± 0.005		CHECKED S/MCDANIEL		REV. c	
DO NOT SCALE DRAWING		ENGR. S/JOHN GATES		SCALE 1:2	
NEXT ASSEMBLY USED ON		DESIGN ACTIVITY		SHEET 1 OF 3	
APPLICATION					

This drawing contains design and other information which is the property of SpaceAge Control, Inc. Except for rights expressly granted by contract to the United States Government, this drawing and data disclosed herein or herewith is not to be reproduced, used, or disclosed in whole or in part to anyone without the written permission of SpaceAge Control, Inc.

REVISIONS			
REV.	DESCRIPTION	DATE	APPROVED



QTY REQD	CAGE CODE	SYM	PART OR IDENTIFYING NO.	NOMENCLATURE OR DESCRIPTION	MATERIAL SPECIFICATION	ITEM NO.
PARTS LIST						
UNLESS OTHERWISE SPECIFIED DIMENSIONS ARE IN INCHES. TOLERANCES ARE:			CONTRACT NO. PROJECT 54		SpaceAge Control, Inc.	
DECIMALS X.X ± 0.03 X.XX ± 0.01 X.XXX ± 0.005 DO NOT SCALE DRAWING	ANGLES X° ± 30'		APPROVALS	DATE	TITLE STRAIGHT-NOSE AIR DATA BOOM, HEATED	
			DRAWN S/O'MAHONEY	8-30-01	SIZE B	REV. C
			CHECKED S/McDANIEL	8-30-01	CAGE CODE 34851	DWG NO. 100700-04
			ENGR S/JOHN GATES	8-30-01	SHEET 2 OF 3	
			DESIGN ACTIVITY		SCALE 1:2	
NEXT ASSY	USED ON	APPLICATION				

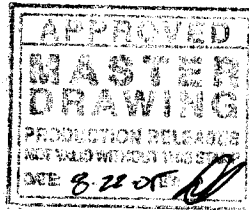
This drawing contains design and other information which is the property of SpaceAge Control, Inc. Except for rights expressly granted by contract to the United States Government, this drawing and data disclosed herein or herewith is not to be produced, used, or disclosed in whole or in part to anyone without the written permission of SpaceAge Control, Inc.

REVISIONS

REV.	DESCRIPTION	DATE	APPROVED
CAD MAINTAINED. CHANGES SHALL BE INCORPORATED BY THE DESIGN ACTIVITY			

NOTES

1. VANE POTENTIOMETER SPECIFICATIONS (MEASURE ANGLE OF ATTACK (AOA (ALPHA)) AND ANGLE OF SIDESLIP (AOS (BETA)))
 - 1.1. TYPE: CONDUCTIVE PLASTIC
 - 1.2. RESISTANCE: 2K OHMS
 - 1.3. RESISTANCE TOLERANCE: ±10%
 - 1.4. LINEARITY: ±.15% MAX. IN MIDDLE 40°; ±1.00% MAX. AT THE ENDS
 - 1.5. RESOLUTION: INFINITE SIGNAL OUTPUT
 - 1.6. ELECTRICAL TRAVEL: 103° NOMINAL
 - 1.7. POWER RATING (70° C): .5 WATT
 - 1.8. MECHANICAL TRAVEL: 360° CONTINUOUS
 - 1.9. MECHANICAL LIFE: 20+ MILLION SHAFT REVOLUTIONS
 - 1.10. OPERATING TEMPERATURE RANGE: -65° TO +125° C
 - 1.11. OTHER SPECIFICATIONS: PER MIL-R-39023
2. HEATED PROBE SPECIFICATIONS (MEASURES TOTAL AND STATIC PRESSURE)
 - 2.1. INPUT POWER: 28 VDC NOMINAL, 30 VDC MAX
 - 2.2. 145 WATTS @ 24 VDC, SELF-REGULATING
 - 2.3. WIND TUNNEL CALIBRATED UP TO MACH .95
 - 2.4. SPECIFICATIONS: PER MIL-T-5420B, SAE AS 393
3. RTD PROBE P/N IS MINCO S914PD06T20X150N
4. ELECTRICAL CABLE SPECIFICATIONS:
 - AOA/AOS VANES: 6 CNDCT, TEFLON FEP SHIELDED, AWG 24 SIMILAR TO M27500A24RC6S09 WITH SPECIAL COLOR CODE: 09.29.6.4.0.8
 - PROBE HEATER: AN5816-2
 - RTDS: TEFLON INSULATED, STRANDED COPPER, AWG 22



QTY REQD	CAGE CODE	SYM	PART OR IDENTIFYING NO.	NOMENCLATURE OR DESCRIPTION	MATERIAL SPECIFICATION	ITEM NO.
----------	-----------	-----	-------------------------	-----------------------------	------------------------	----------

PARTS LIST

UNLESS OTHERWISE SPECIFIED DIMENSIONS ARE IN INCHES. TOLERANCES ARE: DECIMALS ANGLES X.X ± 0.03 X° ± 30' X.XX ± 0.01 X.XXX ± 0.005 DO NOT SCALE DRAWING	CONTRACT NO. PROJECT 54						
	APPROVALS		DATE	TITLE STRAIGHT-NOSE AIR DATA BOOM, HEATED			
	DRAWN S/O'MAHONEY		8-30-01	SIZE A	CAGE CODE 34851	DWG NO. 100700-04	REV. C
	CHECKED S/McDANIEL		8-30-01	SCALE N/A		SHEET 3	OF 3
ENGR S/JOHN GATES		8-30-01					
DESIGN ACTIVITY							
NEXT ASSY	USED ON	APPLICATION					