

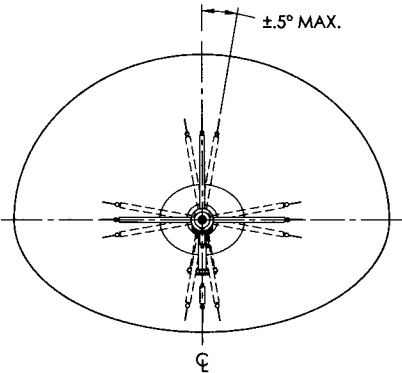
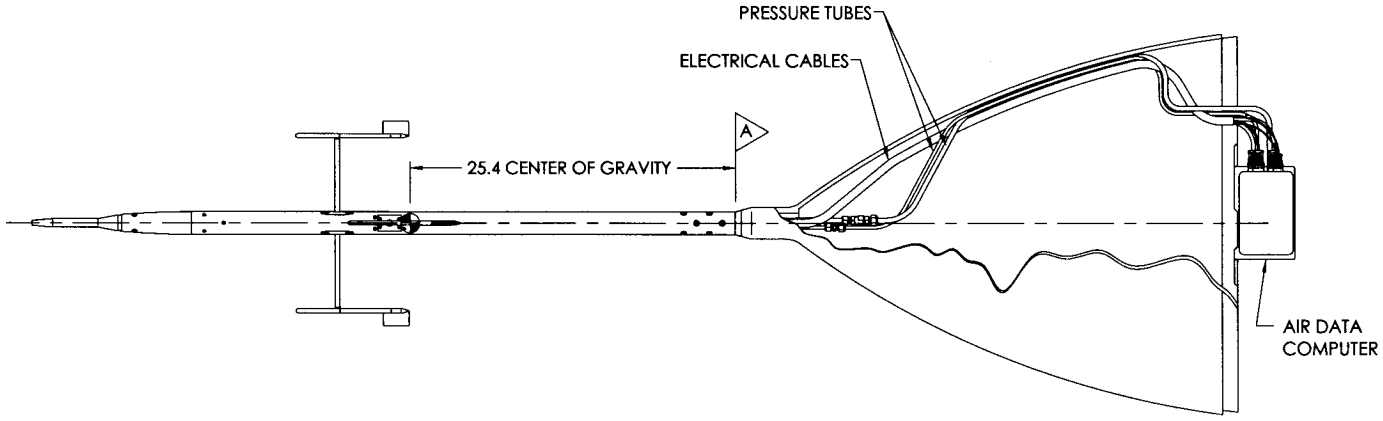
This drawing contains design and other information which is the property of SpaceAge Control, Inc. Except for rights expressly granted by contract to the United States Government, this drawing and data disclosed herein or hereafter is not to be reproduced, used, or disclosed in whole or in part to anyone without the written permission of SpaceAge Control, Inc.

REVISIONS			
REV.	DESCRIPTION	DATE	APPROVED
C	PER ECO #0880	12-17-01	<i>slayton</i>

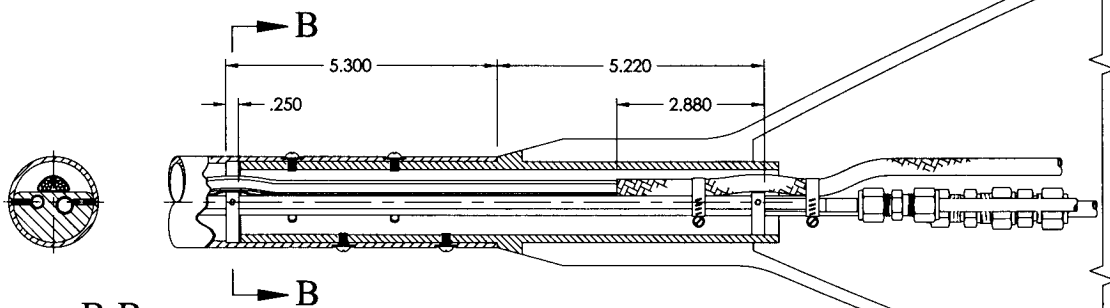
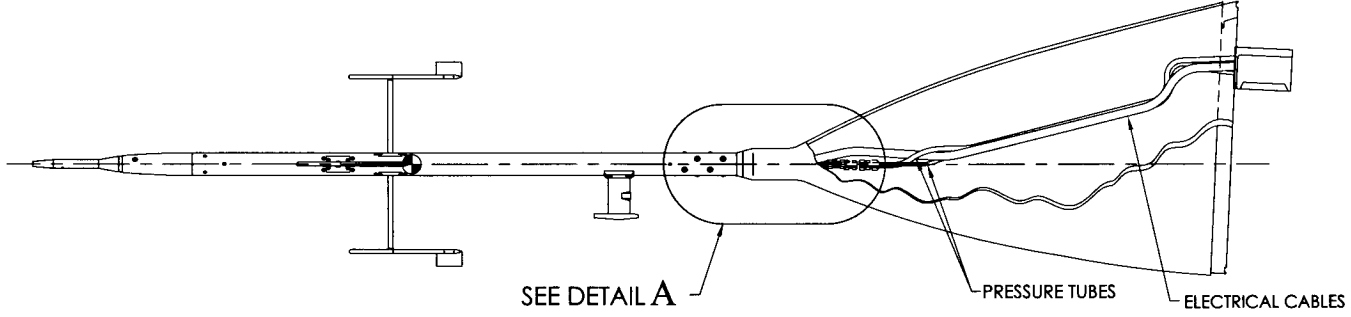
CAD MAINTAINED CHANGES SHALL BE INCORPORATED BY THE DESIGN ACTIVITY

NOTES: UNLESS OTHERWISE SPECIFIED

1. MASS = 15.864 NOMINAL
2. MOUNT AIR DATA BOOM TO NOSE CONE $\pm 5^\circ$ OF ϕ
3. REFERENCE DOCUMENTS:
 - A. RMT 852J DRAWING (HEATED PROBE)
 - B. RMT 102KH4DR DRAWING (TAT SENSOR)
 - C. CPPC CGH-8-TC-7 DRAWING (SYNCHROS)
4. THIS IS KAI DRAWING NO. SIH0111.



FRONT VIEW



SECTION B-B
SCALE 2:1

DETAIL A
SCALE 4:1

APPROVED
MASTER
DRAWING
PRODUCTION RELEASES
NOT VALID WITHOUT THIS STAMP
DATE 12-18-01 BY *[Signature]*

QTY REQD	CAGE CODE	SYM	PART OR IDENTIFYING NO.	NOMENCLATURE OR DESCRIPTION	MATERIAL SPECIFICATION	ITEM NO.
UNLESS OTHERWISE SPECIFIED DIMENSIONS ARE IN INCHES TOLERANCES ARE:						
DECIMALS	ANGLES		CONTRACT NO. PROJECT 8			
X.X ± 0.03	X° ± 30'		APPROVALS	DATE	TITLE	
X.XX ± 0.01			<i>S/O'MAHONEY</i>	2-20-01	STRaight-NOSE AIR DATA BOOM, HEATED	
X.XXX ± 0.005			CHECKED	2-20-01	SIZE	CAGE CODE
DO NOT SCALE DRAWING			<i>S/JOHN GATES</i>	2-20-01	C	34851
			ENGR	2-20-01	DWG NO.	100700-03
			<i>S/L LAWSON</i>	2-20-01	REV	C
NEXT ASSY	USED ON	DESIGN ACTIVITY		SCALE	1:8	SHEET 1 OF 5
APPLICATION						

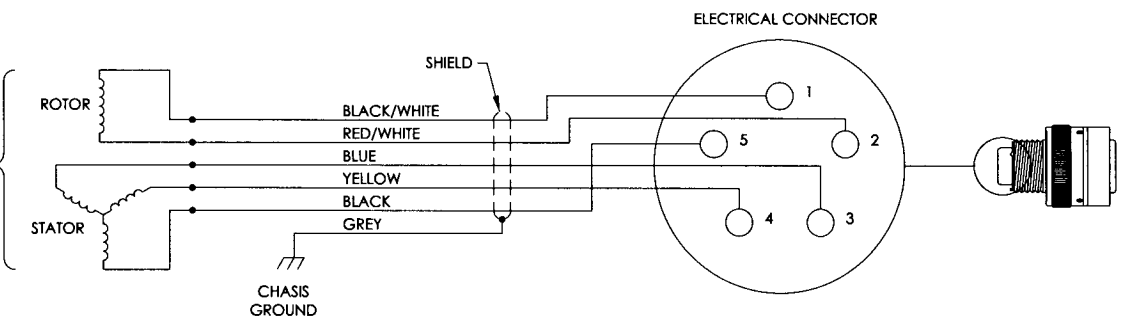
This drawing contains design and other information which is the property of SpaceAge Control, Inc. Except for rights expressly granted by contract to the United States Government, this drawing and data disclosed herein or hereafter is not to be reproduced, used, or disclosed in whole or in part to anyone without the written permission of SpaceAge Control, Inc.

REVISIONS			
REV.	DESCRIPTION	DATE	APPROVED

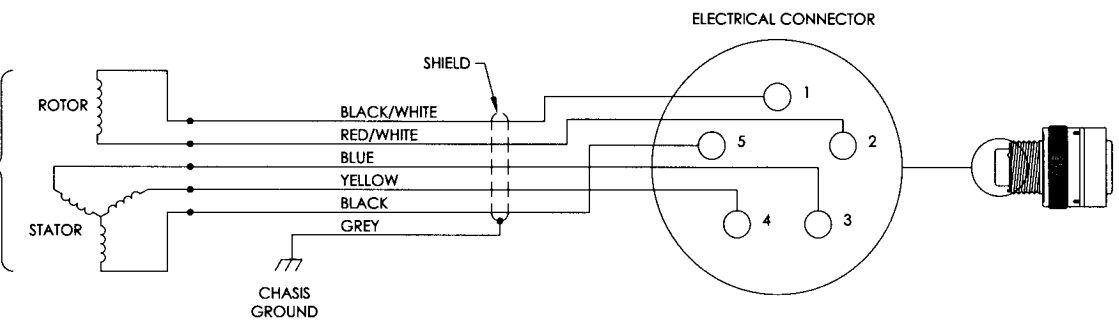
CAD MAINTAINED CHANGES SHALL BE INCORPORATED BY THE DESIGN ACTIVITY

D
C
B
A

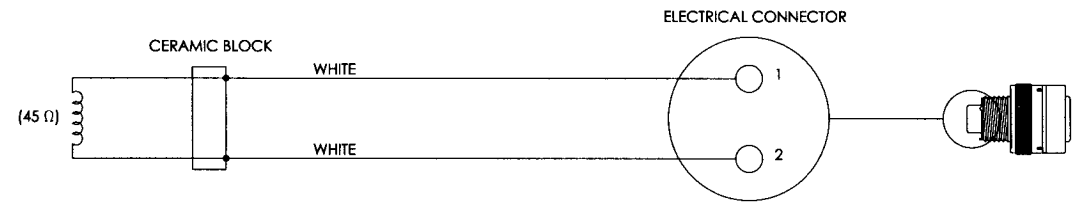
AOS SYNCHRO
400 HZ, 26 VOLT



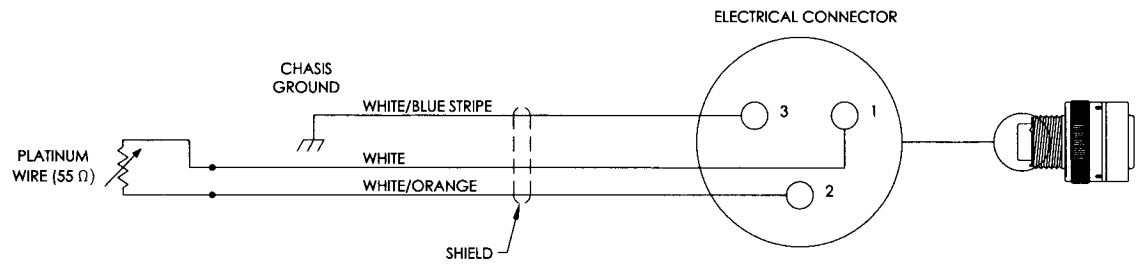
AOA SYNCHRO
400 HZ, 26 VOLT



HEATER
115 VRMS, 100 WATTS
(NOMINAL)



TAT SENSOR



APPROVED
MASTER
DRAWING
PRODUCTION RELEASED
DATE: 12-13-01 BY: [Signature]

QTY REQD	CAGE CODE	SYM	PART OR IDENTIFYING NO.	NOMENCLATURE OR DESCRIPTION	MATERIAL SPECIFICATION	ITEM NO.	
UNLESS OTHERWISE SPECIFIED DIMENSIONS ARE IN INCHES TOLERANCES ARE: DECIMALS ANGLES X.X ± 0.03 X° ± 30' X.XX ± 0.01 X.XXX ± 0.005 DO NOT SCALE DRAWING				CONTRACT NO. PROJECT 8 APPROVALS DATE DRAWN S/OMAHONEY 2-20-01 CHECKED S/JOHN GATES 2-20-01 ENGR S/L LAWSON 2-20-01 DESIGN ACTIVITY			TITLE STRAIGHT-NOSE AIR DATA BOOM, HEATED
NEXT ASST USED ON APPLICATION		SCALE NONE		SIZE C CAGE CODE 34851 DWG NO. 100700-03		REV. C	
				SHEET 5 OF 5			

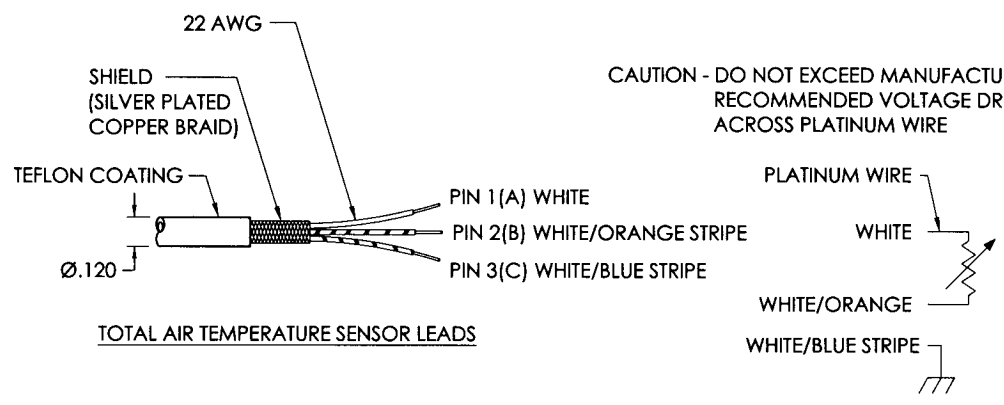
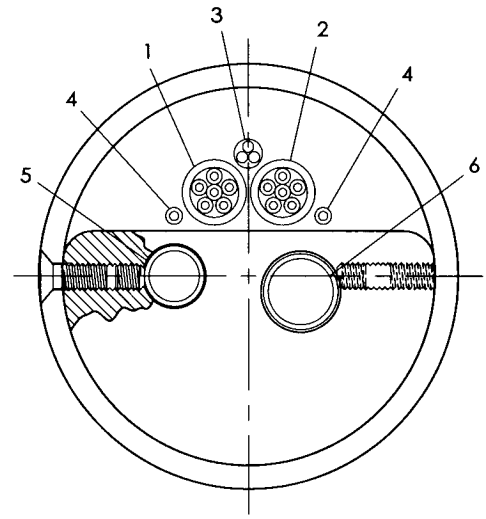
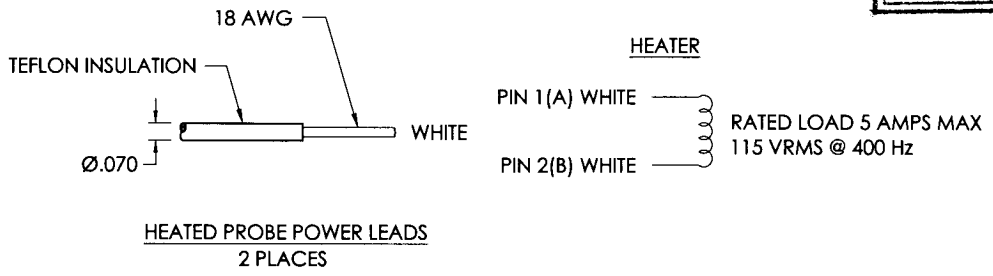
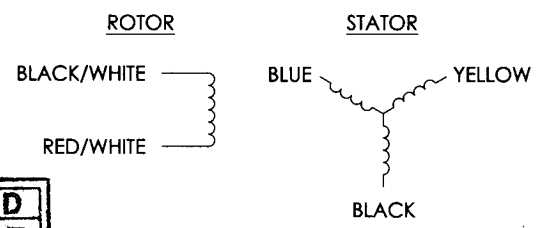
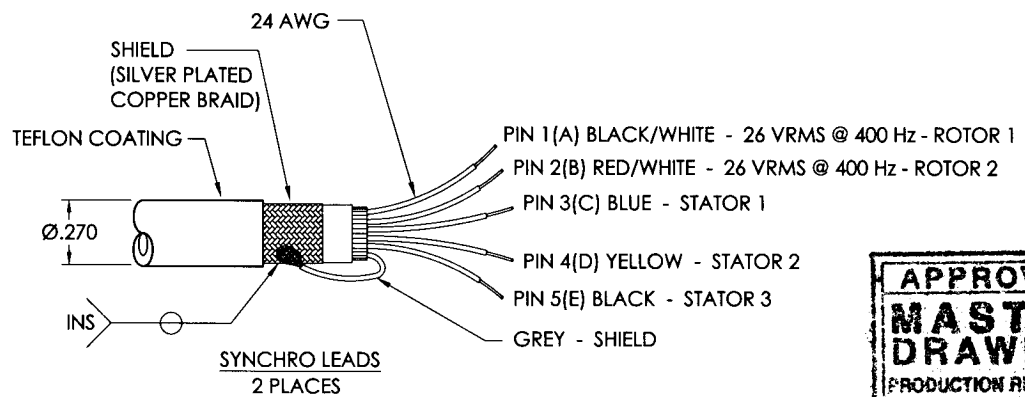
D
C
B
A

4 3 2 1

This drawing contains design and other information which is the property of SpaceAge Control, Inc. Except for rights expressly granted by contract to the United States Government, this drawing and data disclosed herein or herewith is not to be reproduced, used, or disclosed in whole or in part to anyone without the written permission of SpaceAge Control, Inc.

REVISIONS			
REV.	DESCRIPTION	DATE	APPROVED

CAD MAINTAINED. CHANGES SHALL BE INCORPORATED BY THE DESIGN ACTIVITY



CAUTION - DO NOT EXCEED MANUFACTURER'S RECOMMENDED VOLTAGE DROP ACROSS PLATINUM WIRE

QTY REQD	CAGE CODE	SYM	PART OR IDENTIFYING NO.	NOMENCLATURE OR DESCRIPTION	MATERIAL SPECIFICATION	ITEM NO.
PARTS LIST						
UNLESS OTHERWISE SPECIFIED DIMENSIONS ARE IN INCHES TOLERANCES ARE:			CONTRACT NO. PROJECT 8			
DECIMALS	ANGLES		APPROVALS			
X.X ± 0.03	X° ± 30'		DATE 2-20-01			
X.XX ± 0.01			DRAWN S/O'MAHONEY			
X.XXX ± 0.005			CHECKED S/JOHN GATES			
DO NOT SCALE DRAWING			ENGR S/L. LAWSON			
			DESIGN ACTIVITY			
NEXT ASSY			USED ON		SCALE 2:1	
APPLICATION					SIZE B	
					CAGE CODE 34851	
					DWG NO. 100700-03	
					REV. C	
					SHEET 4 OF 5	

SpaceAge Control, Inc.

STRAIGHT-NOSE AIR DATA BOOM, HEATED

4 3 2 1

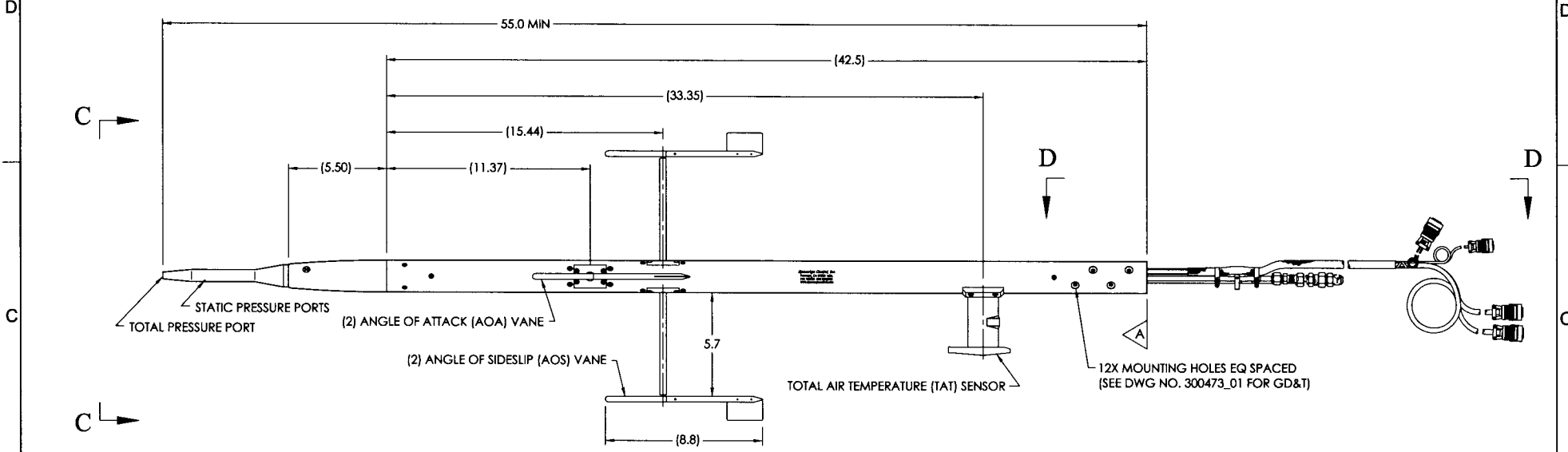
D C B A

This drawing contains design and other information which is the property of SpaceAge Control, Inc. Except for rights expressly granted by contract to the United States Government, this drawing and data disclosed herein or hereafter is not to be reproduced, used, or disclosed in whole or in part by anyone without the written permission of SpaceAge Control, Inc.

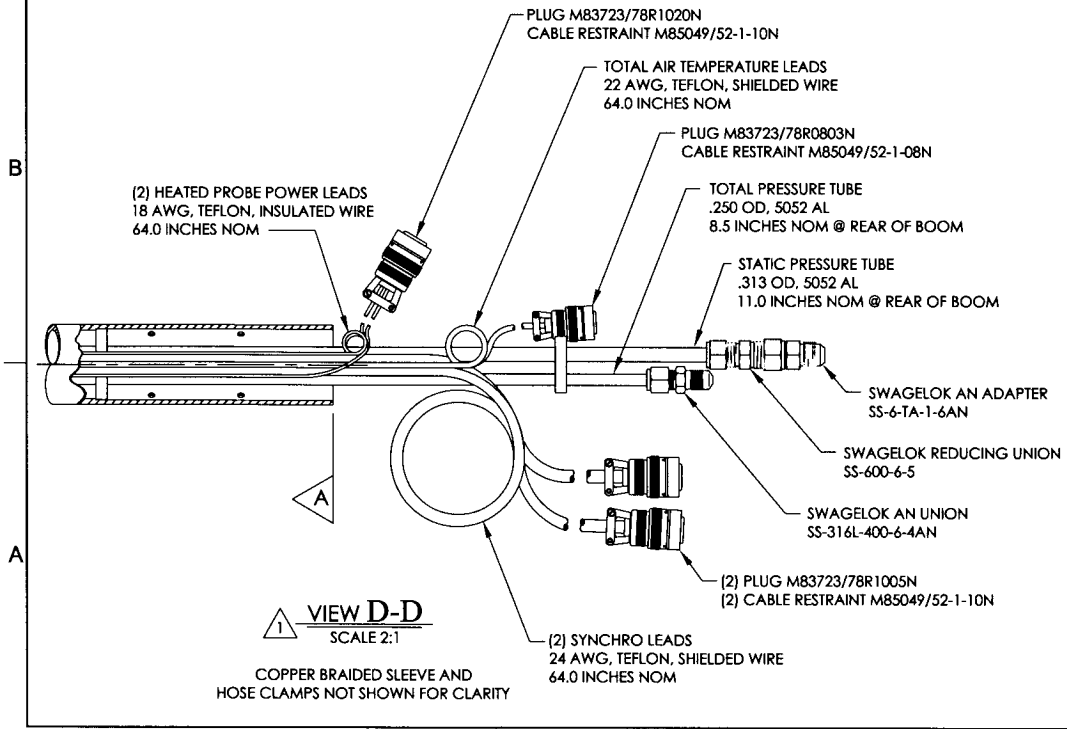
REVISIONS			
REV.	DESCRIPTION	DATE	APPROVED

CAD MAINTAINED. CHANGES SHALL BE INCORPORATED BY THE DESIGN ACTIVITY

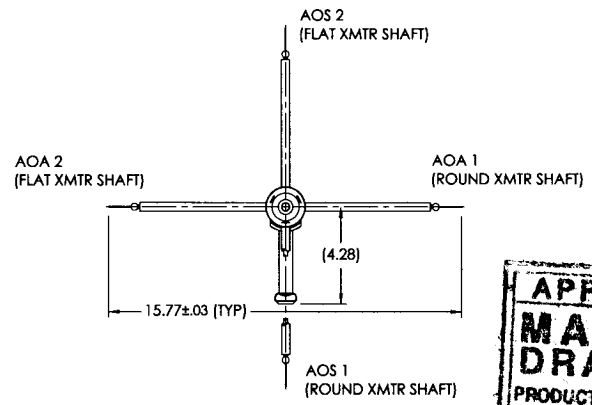
NOTES: UNLESS OTHERWISE SPECIFIED
 1. WIRE LENGTHS ARE SPECIFIED FROM POINT A TO END OF ELECTRICAL CONNECTOR.



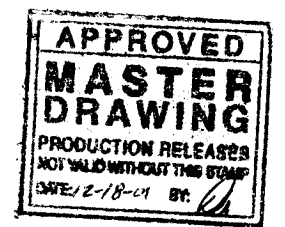
SIDE VIEW



VIEW D-D
SCALE 2:1



VIEW C-C
SCALE 1:4



1			100700-03	STRAIGHT-NOSE AIR DATA BOOM, HEATED	MAKE FROM 303 SS & 2024 AL	
QTY REQD	CAGE CODE	SYM	PART OR IDENTIFYING NO.	NOMENCLATURE OR DESCRIPTION	MATERIAL SPECIFICATION	ITEM NO.
UNLESS OTHERWISE SPECIFIED DIMENSIONS ARE IN INCHES. TOLERANCES ARE:			CONTRACT NO. PROJECT 8			
DECIMALS .X.X ± 0.03			APPROVALS			
X.XXX ± 0.01			DRAWN S/O MAHONEY 2-20-01			
X.XXXX ± 0.005			CHECKED S/O JOHN GATES 2-20-01			
DO NOT SCALE DRAWING			ENGR S/L LAWSON 2-20-01			
NEXT ASSY LIBED ON			DESIGN ACTIVITY			
APPLICATION			SCALE C 34851 DWG NO. 100700-03 REV. C			
			SCALE 1:4 SHEET 2 OF 5			