

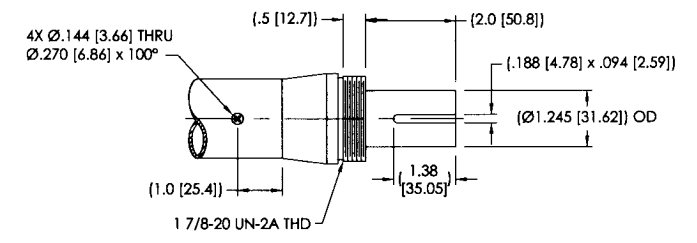
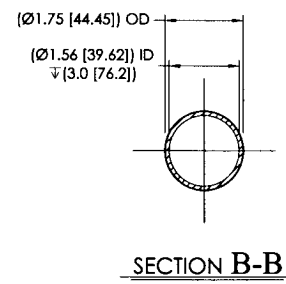
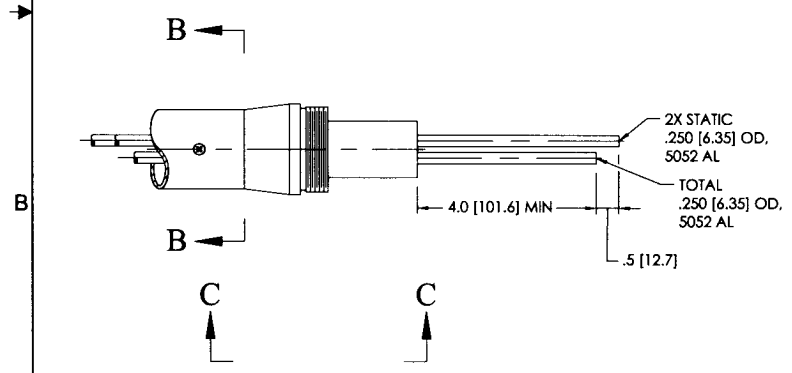
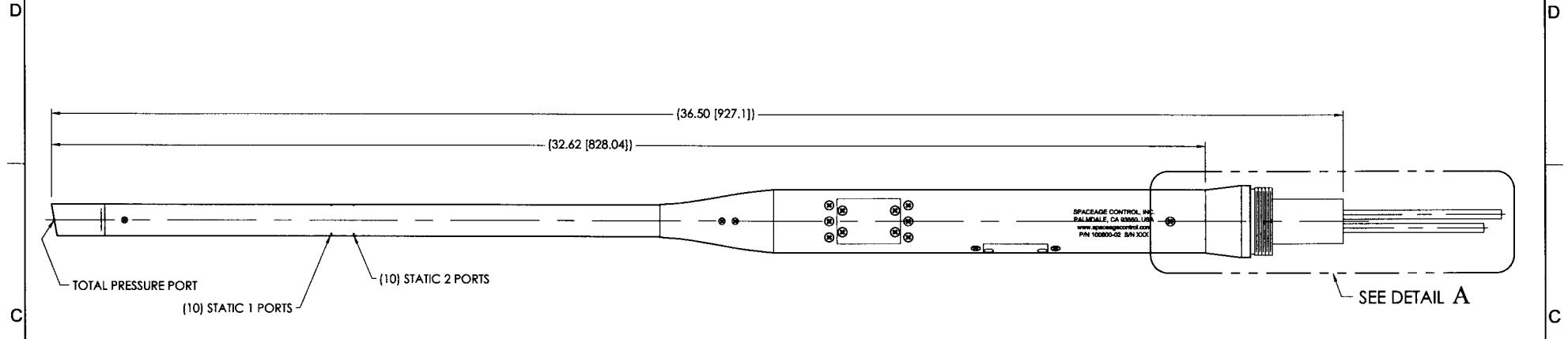
This drawing contains design and other information which is the property of SpaceAge Control, Inc. Except for rights expressly granted by contract to the United States Government, this drawing and data disclosed herein or hereunto is not to be reproduced, used, or disclosed in whole or in part to anyone without the written permission of SpaceAge Control, Inc.

REVISIONS			
REV.	DESCRIPTION	DATE	APPROVED

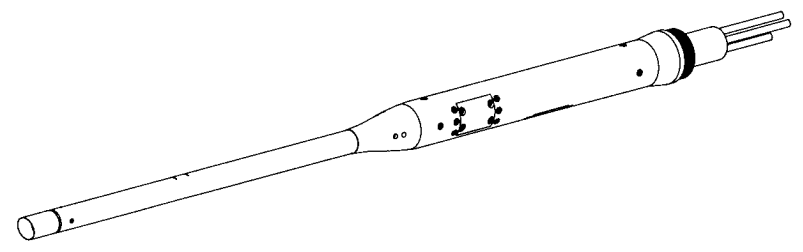
NOTES: UNLESS OTHERWISE SPECIFIED

1. ALL DIMENSIONS ARE IN INCHES [MM]

CAD MAINTAINED. CHANGES SHALL BE INCORPORATED BY THE DESIGN ACTIVITY



APPROVED MASTER DRAWING
 PRODUCTION RELEASES
 NOT VALID WITHOUT THIS SIGNATURE
 DATE: 7-1-02 BY: [Signature]



1	100600-02	STRAIGHT-NOSE AIR DATA BOOM	~
QTY REQD	GRADE CODE	SYM	ITEM NO.
CONTRACT NO.		PARTS LIST	
UNLESS OTHERWISE SPECIFIED DIMENSIONS ARE IN INCHES TOLERANCES ARE:		SpaceAge Control, Inc.	
DECIMALS X.X ± 0.03	ANGLES X° ± 30'	STRAIGHT-NOSE AIR DATA BOOM	
X.XXX ± 0.01		APPROVALS	DATE
X.XXXX ± 0.005	DO NOT SCALE DRAWING	DRAWN: [Signature]	DATE: 7-1-02
CHECKED: [Signature]		TITLE	
ENGR: [Signature]		SCALE: C	GRADE CODE: 34851
DESIGN ACTIVITY		SIZE: 100600-02	DWG NO: 100600-02
NEXT ASSY	USED ON	SCALE: 1:2	SHEET 1 OF 1
APPLICATION			